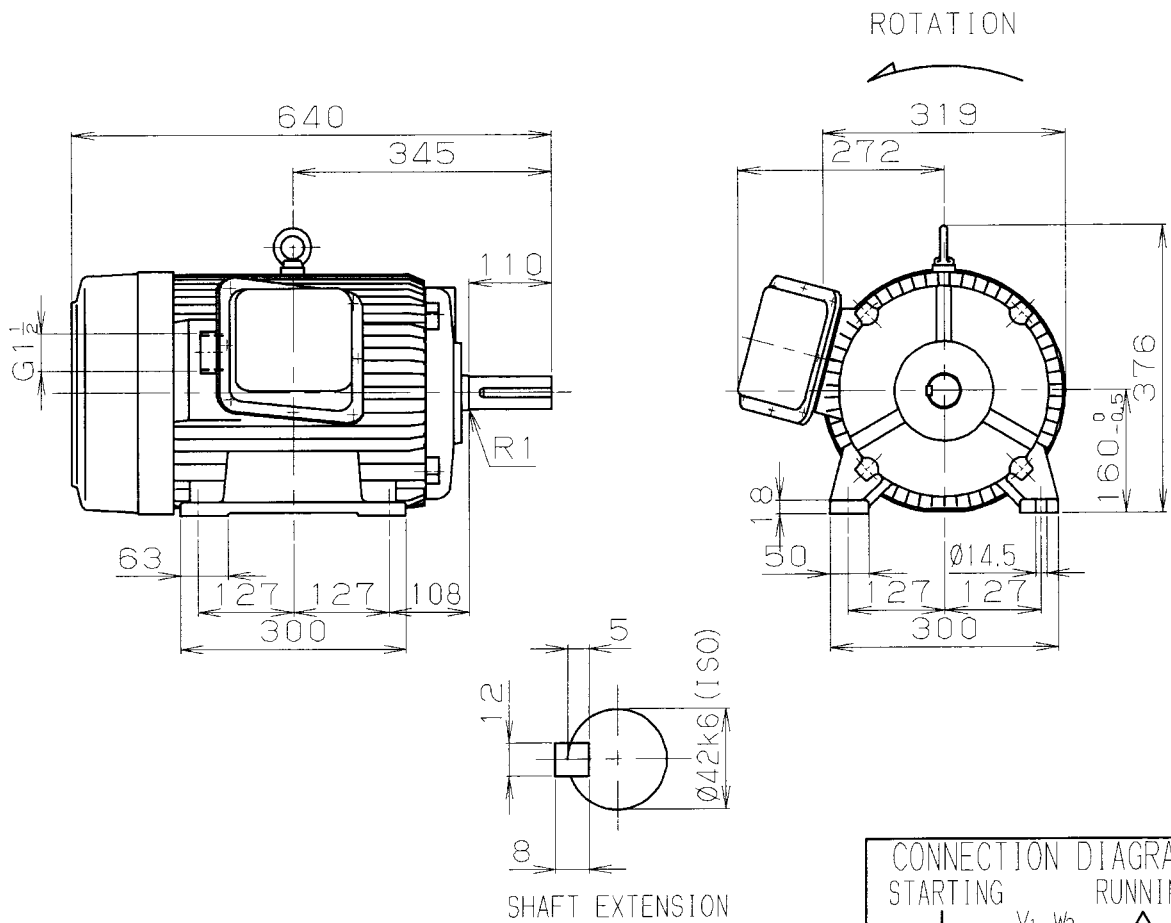
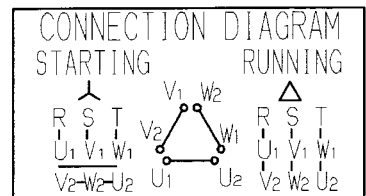


# INDUCTION MOTOR

(OUTDOOR USE)



DIMENSIONS IN mm



|          |       |       |    |        |                |       |                   |
|----------|-------|-------|----|--------|----------------|-------|-------------------|
| MLA8167B | 160L  | 4     | 3  | 15kW   | 200/200<br>220 | 50/60 | 1460/1750<br>1760 |
| TYPE     | FRAME | POLES | PH | OUTPUT | VOLT           | Hz    | min <sup>-1</sup> |

|             |        |       |         |            |            |  |
|-------------|--------|-------|---------|------------|------------|--|
| 55/54<br>50 | S1     | B     | マンセル N5 | IP44       | JIS C 4210 |  |
| A M P       | RATING | INSUL | COLOR   | PROTECTION | RULE       |  |

|         |        |
|---------|--------|
| D-END   | 6309ZZ |
| N-END   | 6308ZZ |
| BEARING |        |

CUSTOMER : \_\_\_\_\_ W. OD. GAH3604C

VIA : \_\_\_\_\_ ORDER NO. \_\_\_\_\_

APPLICATION : \_\_\_\_\_ W. NO. H 3604

|         |            |      |          |  |                                      |
|---------|------------|------|----------|--|--------------------------------------|
|         | DATE       | NAME | APPROVED |  | <b>Fuji Electric Motor Co., Ltd.</b> |
| DRAWN   | 2003-03-04 | 長谷川  |          |  | (MLA1319)<br>YH585072c               |
| CHECKED |            |      |          |  | DWG. NO.                             |