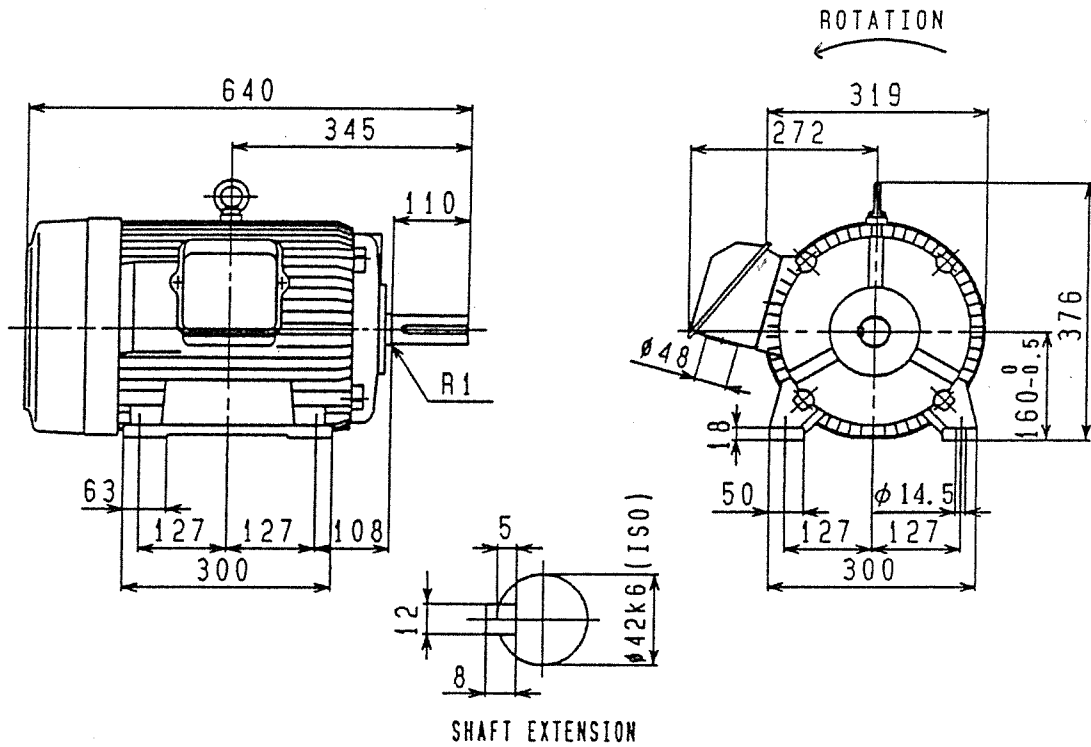


3RD ANGLE METHOD

FINAL  
APPROVAL

INDUCTION MOTOR  
(INDOOR USE)



DIMENSIONS IN mm

MLA 8/67A	160L	4	3	15 KW	200/200 220	50/60	1460/1750 1760
TYPE	FRAME	POLES	PH	OUTPUT	VOLT	Hz	RPM
55/54 /50	CONT.	B			JIS C 4210	JP44	
AMP	RATING	INSUL			PROTECTION		

D-END	6309 ZZ
N-END	6308 ZZ
BEARING	

CUSTOMER: \_\_\_\_\_

VIA: \_\_\_\_\_

ORDER NO. \_\_\_\_\_

APPLICATION: \_\_\_\_\_

W. NO. \_\_\_\_\_

	DATE	NAME	APPROVED	Fuji Electric Co., Ltd.	
DRAWN					
CHECKED				Dwg. No.	YH585024 a